



DESIGNER

Chifen Cheng

BRAND

Woud Design

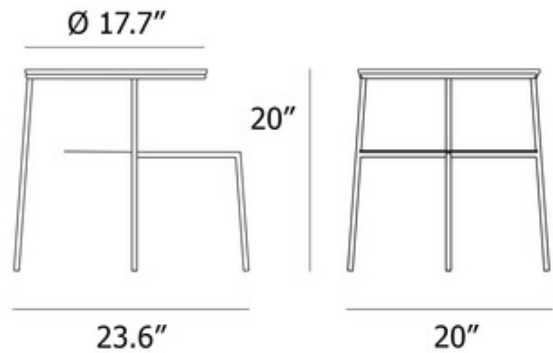
### DESCRIPTION

The Duo Side Table features a thin and elegant silhouette composed of a Metal frame and two identically sized table tops. The top table is made of Smoked Tempered Glass.



Shown in: Black

SHADE COLOR	N/A
BODY FINISH	Black
WATTAGE	N/A
DIMMER	N/A
DIMENSIONS	23.6"W x 20"H x 20"D
LAMP	N/A



SPEC #

WOU1085633

COMPANY

PROJECT

FIXTURE TYPE

APPROVED BY

DATE